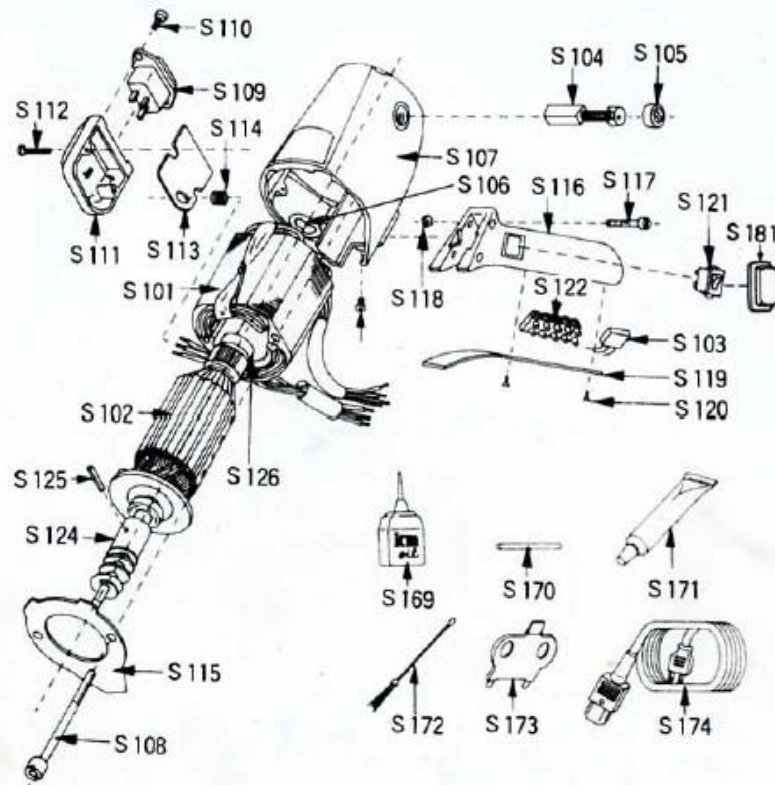
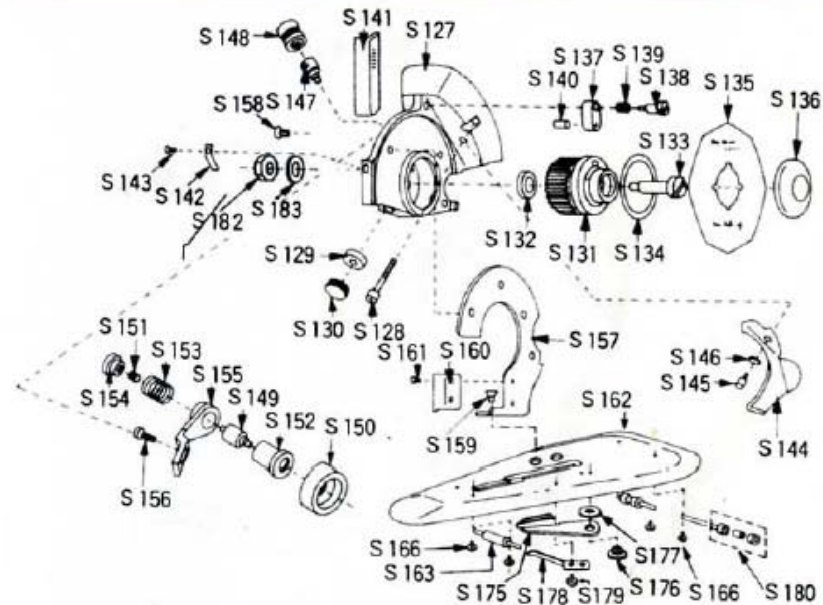


## MOTOR ASSEMBLY & ACCESSORIES



Other standard accessories:  
 Knife(S135) 1 pc.  
 Carbon brush(S104) 1 set.  
 Grinding wheel(S150) 1 pc.  
 Knife oiler felt(S140) 1 pc.

## STANDARD & BASE ASSEMBLY



PART NO.	PART NAME	名稱
<b>S-101</b>	Stator	定子
<b>S-102</b>	Rotor	轉子
<b>S-103</b>	Condenser	電容器
<b>S-104</b>	Carbon Brush	電刷
<b>S-105</b>	Cap for Carbon Brush	電刷螺帽
<b>S-106</b>	Wave Washer	波型墊圈
<b>S-107</b>	Motor Cover	電機外殼
<b>S-108</b>	Screw for stator	定子螺釘
<b>S-109</b>	Terminal	插座
<b>S-110</b>	Screw for Terminal	插座螺釘
<b>S-111</b>	Terminal Box	插座盒